

INSTALLATION GUIDE

PKV160 PKV180 PKV210 PKV240 PKV290 PKV330 PRV15 PRV17 PKV720 PKV850 PKV960
CRA100 CRA130 CRA150 CRA170 CRA200 CRA230 CRV290 CRV330 CRV13 CRV15 CRV17
CRV720 CRV850 CRV960 CRS10 CRS13 CRS15 CRS17

Due to the upcoming changes to our control line-up, to cater to our new platform, Inzone or CMI, we are making the following recommended wiring configuration changes. This change now brings our wiring configuration in line with Cat5E wiring standards.

Wall Controller Options

A maximum of three (3) wall controllers in the below combinations is allowed per unit. See below table.

Options	Wall Controllers		
	C1	C2	C3
1st Option	NEO		
2nd Option	NEO	NEO	
3rd Option	NEO	NEO	LR7-1 / LC7-2
4th Option	NEO	LR7-1 / LC7-2	
5th Option	NEO	LR7-1 / LC7-2	LR7-1 / LC7-2
6th Option	LR7-1 / LC7-2		
7th Option	LR7-1 / LC7-2	LR7-1 / LC7-2	
8th Option	LR7-1 / LC7-2	LR7-1 / LC7-2	LR7-1 / LC7-2

NOTES

- NEO - Available in White (NTW-1000) and Black (NTB-1000).
- LC7-2, LR7-1 and LM-RS-2 - Available in White and Grey.
- In the instance of a combination of NEO and LR7-1 / LC7-2 being connected together, the NEO will always need to be addressed as C1.

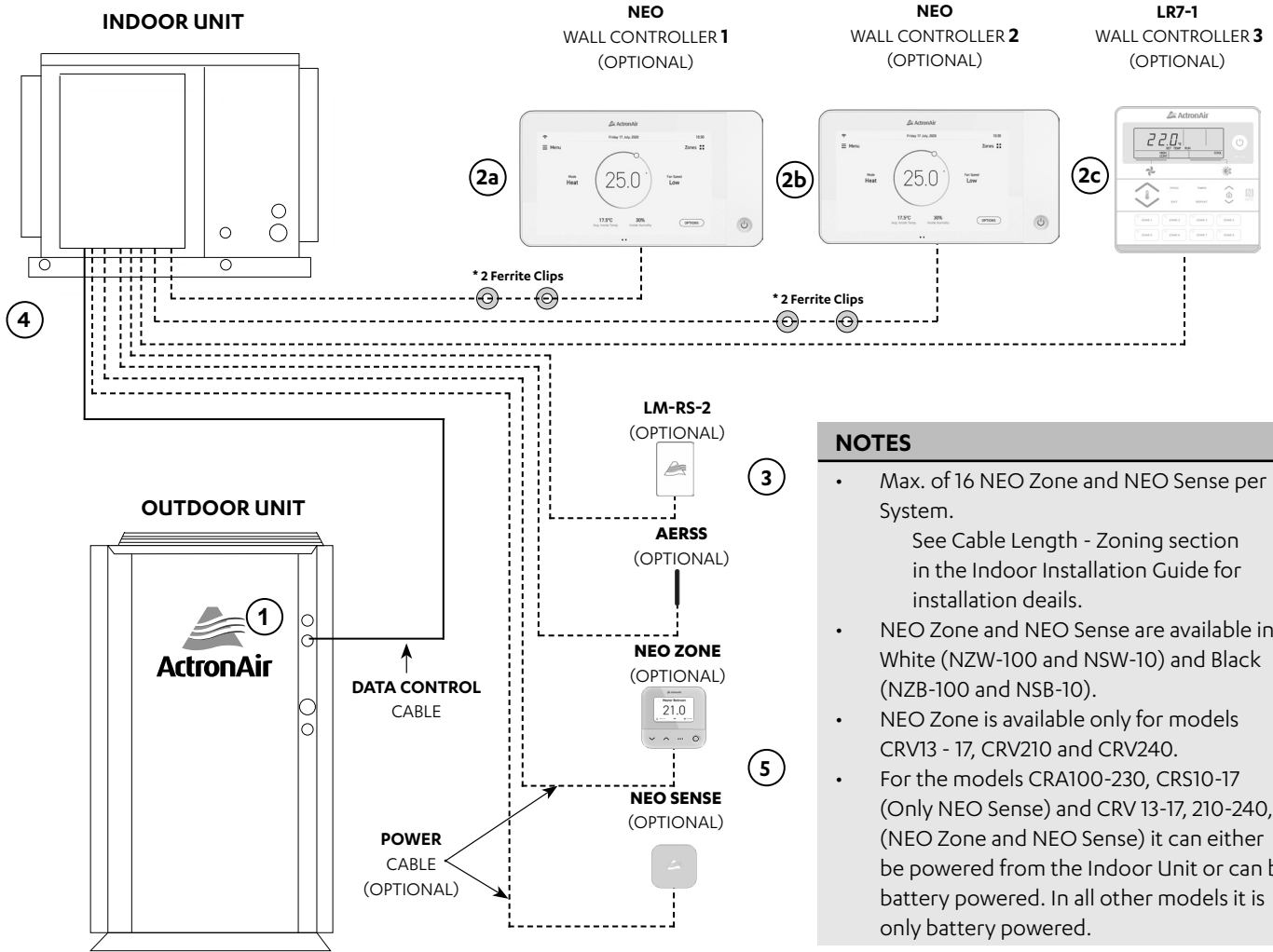
INSTALLATION GUIDE

**PKV160 PKV180 PKV210 PKV240 PKV290 PKV330 PRV15 PRV17 PKV720 PKV850 PKV960
CRA100 CRA130 CRA150 CRA170 CRA200 CRA230 CRV290 CRV330 CRV13 CRV15 CRV17
CRV720 CRV850 CRV960 CRS10 CRS13 CRS15 CRS17**

Wiring Configuration : Recommended

NOTES

- Diagram shown below is a general representation only. Refer to individual unit wiring diagram for complete wiring connection details.
- Long runs beside Mains cables or TV antenna cables should be avoided.
- Wiring configuration for LR7-1 and LC7-2 wall controller is the same.
- Daisy connection is not allowed for the NEO wall controller.
- Two Ferrite Clips *, if supplied, are to be placed 200mm and 400mm from the NEO controller.



NOTES

- Max. of 16 NEO Zone and NEO Sense per System.
See Cable Length - Zoning section in the Indoor Installation Guide for installation details.
- NEO Zone and NEO Sense are available in White (NZW-100 and NSW-10) and Black (NZB-100 and NSB-10).
- NEO Zone is available only for models CRV13 - 17, CRV210 and CRV240.
- For the models CRA100-230, CRS10-17 (Only NEO Sense) and CRV 13-17, 210-240, (NEO Zone and NEO Sense) it can either be powered from the Indoor Unit or can be battery powered. In all other models it is only battery powered.

Item	Description	Maximum Cable Length
1 to 4	Outdoor PCB to Indoor PCB	100 m
4 to 2a, 4 to 2b	Indoor PCB to Wall Controller	90 m
4 to 2c	Indoor PCB to Wall Controller 3	100 m
4 to 3	Indoor PCB to Remote Sensor	100 m
4 to 5	Indoor PCB to ZC and ZS	100 m

Description	Cable Type
Indoor to Wall Controller	Cat5e UTP (AWG 24) Data Cable
Indoor to Remote Sensor	Cat5e UTP (AWG 24) Data Cable
Indoor to Outdoor Data Cable	2 Core (1 Pair) Twisted Pair, 7/0.30 (0.5mm ²) Shielded Data Cable

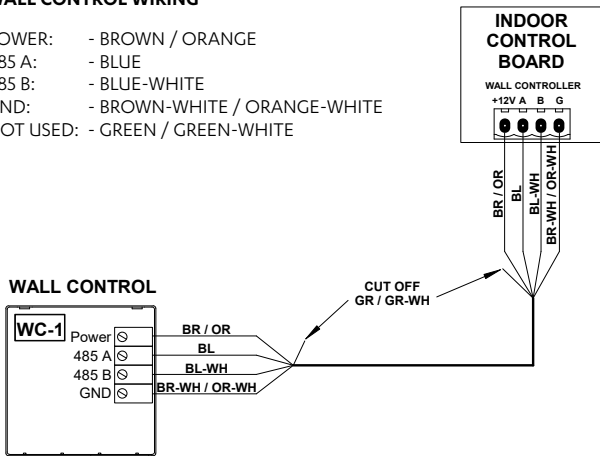
INSTALLATION GUIDE

**PKV160 PKV180 PKV210 PKV240 PKV290 PKV330 PRV15 PRV17 PKV720 PKV850 PKV960
CRA100 CRA130 CRA150 CRA170 CRA200 CRA230 CRV290 CRV330 CRV13 CRV15 CRV17
CRV720 CRV850 CRV960 CRS10 CRS13 CRS15 CRS17**

LR7-1 and LC7-2 Optional Wall Control Wiring Connections

WALL CONTROL WIRING

POWER: - BROWN / ORANGE
485 A: - BLUE
485 B: - BLUE-WHITE
GND: - BROWN-WHITE / ORANGE-WHITE
NOT USED: - GREEN / GREEN-WHITE

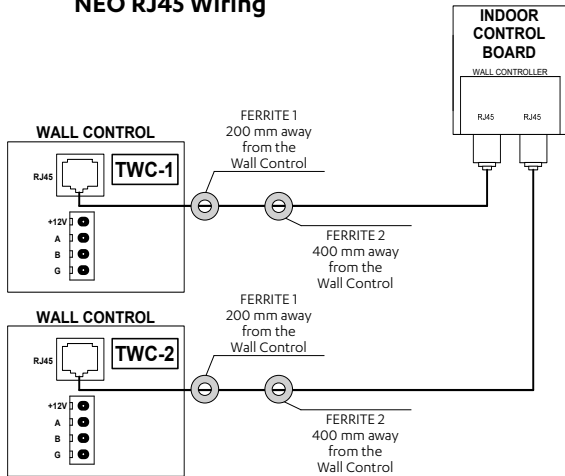


NEO Optional Wall Control Wiring Connections

NOTES

Two Ferrite Clips, if supplied, are to be placed 200mm and 400mm from the NEO controller.

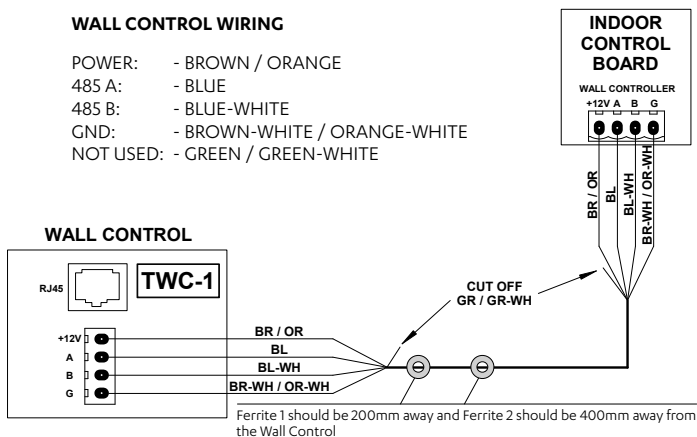
NEO RJ45 Wiring



NEO Hard Wiring

WALL CONTROL WIRING

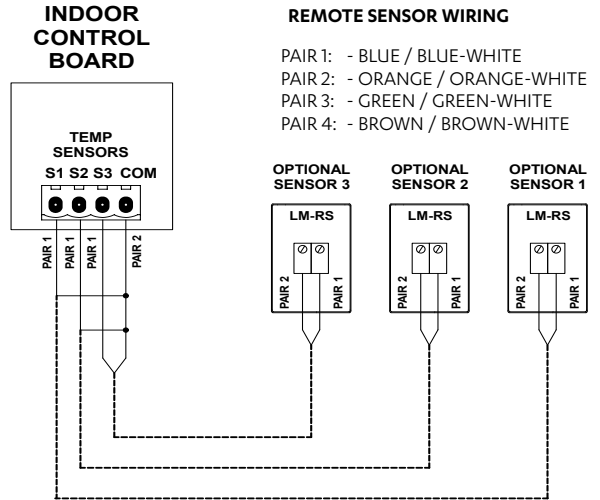
POWER: - BROWN / ORANGE
485 A: - BLUE
485 B: - BLUE-WHITE
GND: - BROWN-WHITE / ORANGE-WHITE
NOT USED: - GREEN / GREEN-WHITE



LM-RS-2 Optional Sensor Wiring Connections

NOTE:

- PAIR 1 AND 2 USED FOR ILLUSTRATION PURPOSES ONLY.
- CUT OFF AND TERMINATE ANY UNUSED PAIRS TO ENSURE NO WIRING IS LEFT EXPOSED



AERSS Optional Duct Sensor Wiring Connections

NOTE:

- PAIR 1 AND 2 USED FOR ILLUSTRATION PURPOSES ONLY.
- CUT OFF AND TERMINATE ANY UNUSED PAIRS TO ENSURE NO WIRING IS LEFT EXPOSED

